

RVS

Fan speed controller

Operating instructions

1. Application.

RVS-type controllers are designed for rotational speed control of single-phase fan motors. They may be applied to temperature control of heating elements.

2. Safety precautions.

- 2.1. Any controller installation can be done by qualified electrician only.
- 2.2. Live controller installation may lead to electric shock.
- 2.3. Maximum constant current in a receiver mustn't exceed for respective level control the current value the controller was designed for (p.4.1).

3. Transport, storage.

- 3.1. Original packaging provided by the manufacturer ensures safe transport and safe storage of controller.
- 3.2. While storage use original packaging only.
- 3.3. Store at temperature ranging from -5°C to +50°C.

4. Technical parameters

4.1. Electrical parameters.

Type	U _{PR1} [V]	Type of glands	Level control U _R [V] / I _R [A]				
			1	2	3	4	5
RVS 1.5/1	230	PG9	115/1,5	135/1,5	155/1,5	180/1,5	230/1,5
RVS 3.0/1	230	PG9	115/2,2	135/2,5	155/2,8	180/1,5	230/3,0
RVS 5.0	230	PG11	80/4,0	105/4,3	135/4,6	170/5,0	230/5,0
RVS 7.0	230	PG11	80/6,0	105/6,3	135/6,6	170/7,0	230/7,0
RVS 10.0	230	PG 16	80/6,5	105/7,5	135/8,5	170/10,0	230/10,0
RVS 14.0	230	PG 16	80/8,0	105/9,5	135/11,0	170/12,5	230/14,0

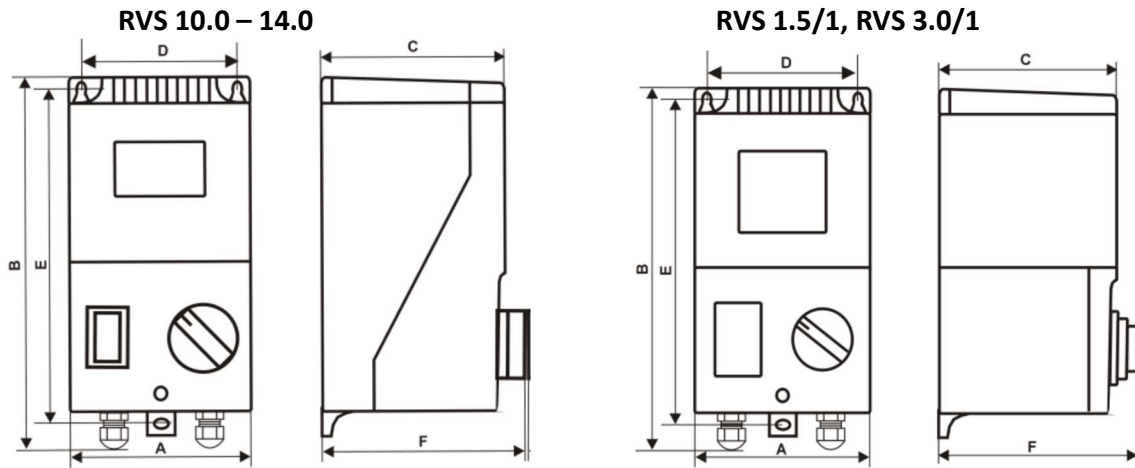
4.2. Other technical parameters.

Protection level	IP30-ARW1,2; ARW 1,5/1; IP54 -ARW 2,0/2, ARW 3,0/1, ARW 3,0/2
Ambient temperature	maximum 40°C
Protection	resistant to occasional overload – thermal automatic cut-out
Conformity with norm	PN-EN61558-2-13
Insulation class	II + protection of PE circuit continuity

5. Installation.

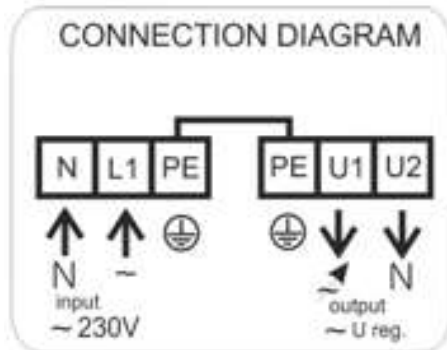
- 5.1. Pay attention to the controller admissible ambient temperature.
Casings of controller might be hot when running.
Assembling of a few close to each other - it is recommended to separate them (minimum 5,0 cm). Vertical operating position.
- 5.2. Screw a controller to the flat surface (e.g. wall) with the use of tap screws.
- 5.3. Open the controller's housing by unscrewing the screws of cover.
- 5.4. Insert cables into a cable-bush (maximum cable section: 1,5 mm²).
- 5.5. Attach following the diagram (overleaf).
- 5.6. When closing the cover, put internal cables correctly.
- 5.7. Put the short-circuit protection in supply circuit.

6. Dimensions



Type	Dimensions			Weight kg
	A x B x C x F	D x C	Ø	
RVS 1,5/1	90x180x89x100	71x157	M5	1,5
RVS 3,0/1	90x180x89x10	71x157	M5	2,2
RVS 5,0	132x250x125x130	105x220	M6	4,5
RVS 7,0	132x250x125x130	105x220	M6	5,5
RVS 10,0	146x280x140x155	113x255	M6	8,0
RVS 14,0	146x280x140x155	113x255	M6	10,5

7. Connection diagram



ATTENTION
Connecting incompatible with the instruction may void the warranty