



Application

AFK fans are intended to supply large amounts of air. They can be used in industry and trade, among others for:

- ventilation and cooling of workplaces,
- point cooling of motors, compressors, electric machines, etc.,
- ventilation of industrial and sports halls, warehouses, etc.,
- drying of painted surfaces, etc.

Construction

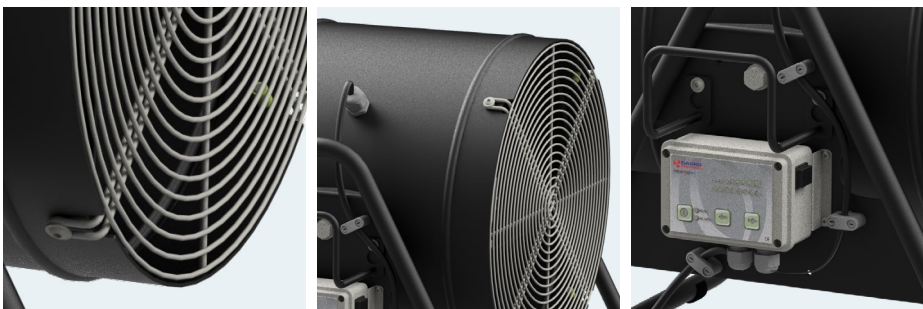
- welded steel housing, powder coated,
- Rotor made of polypropylene,
- impeller made of glass fibre reinforced polypropylene, Aluminium hub,
- protective mesh on inlet and outlet of fan,
- fan connection with 3 m cable terminated with a plug,
- fan painted black RAL 9005.

Electric motor

- asynchronous, single phase 230V, 50Hz,
- IP55 protection class, complies with standards PN-IEC 60072 and PN-EN 60034,
- Class F insulation,
- Voltage regulated by built-in thyristor regulator,
- Optional: possibility to order fan without regulator.

Special version

- painted a different color than standard.

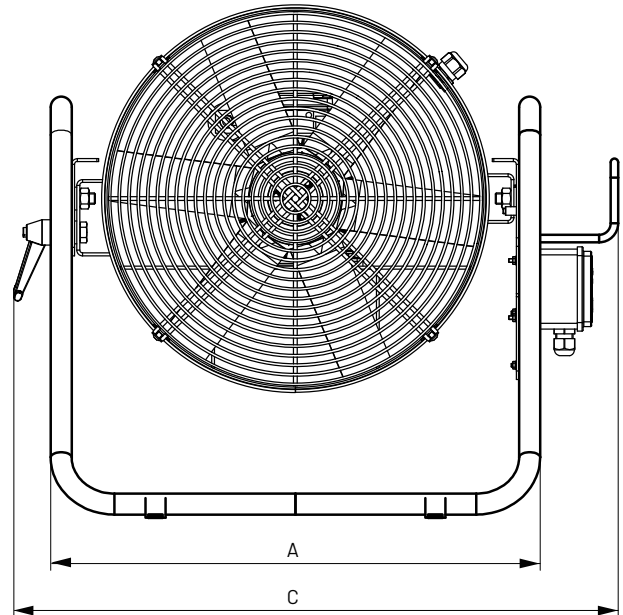
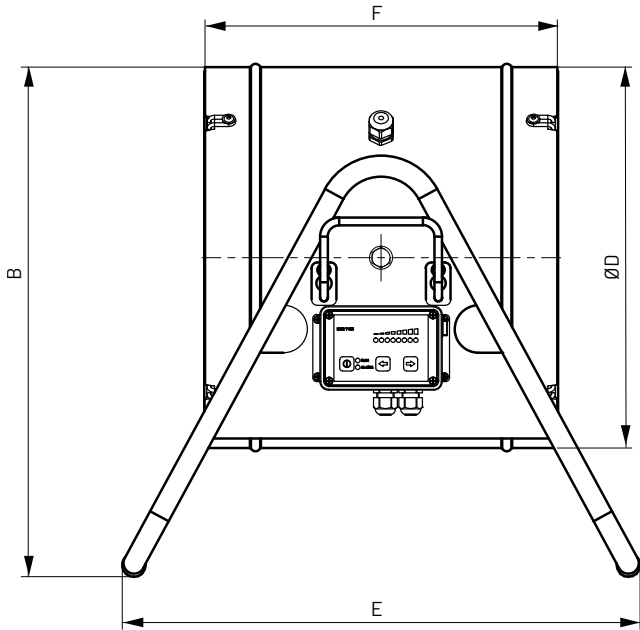


type	airflow max	airflow range for 2 m/s	speed	voltage rated	current max absorbed	motor power	sound pressure level*	weight	article number
AFK-315 RU	2200 m ³ /h	2,2 m	1430 rpm	1~230 V	1,0 A	0,12 kW	61 dB(A)	17,0 kg	42516001
AFK-355 RU	2550 m ³ /h	2,8 m	1420 rpm	1~230 V	1,4 A	0,18 kW	62 dB(A)	20,0 kg	42516011
AFK-400 RU	3100 m ³ /h	8,4 m	1420 rpm	1~230 V	2,5 A	0,37 kW	62 dB(A)	24,0 kg	42516021
AFK-450 RU	4900 m ³ /h	12,5 m	1420 rpm	1~230 V	3,1 A	0,55 kW	65 dB(A)	25,0 kg	42516031
AFK-500 RU	5500 m ³ /h	13,6 m	1420 rpm	1~230 V	3,5 A	0,55 kW	67 dB(A)	32,0 kg	42516041
AFK-560 RU	6400 m ³ /h	14,6 m	1420 rpm	1~230 V	3,8 A	0,55 kW	68 dB(A)	35,0 kg	42516051

* Measurement made at a distance of 1.5m from the outlet



DIMENSIONS

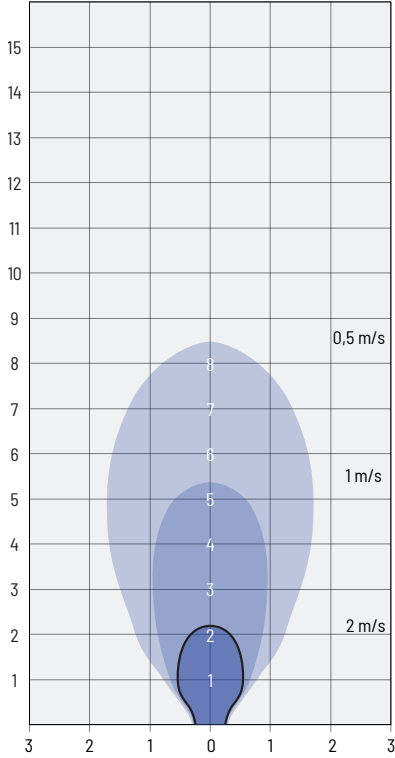


type	A mm	B mm	C mm	ØD mm	E mm	F mm
AFK-315 RU	428	441	549	315	487	320
AFK-355 RU	468	489	589	355	518	340
AFK-400 RU	514	535	635	400	544	370
AFK-450 RU	564	582	685	450	568	406
AFK-500 RU	614	629	735	500	591	406
AFK-560 RU	674	677	795	560	611	406

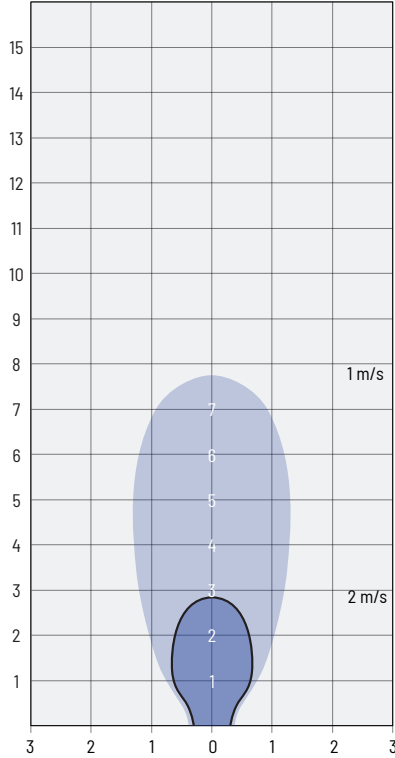


AIR FLOW RANGE [m]

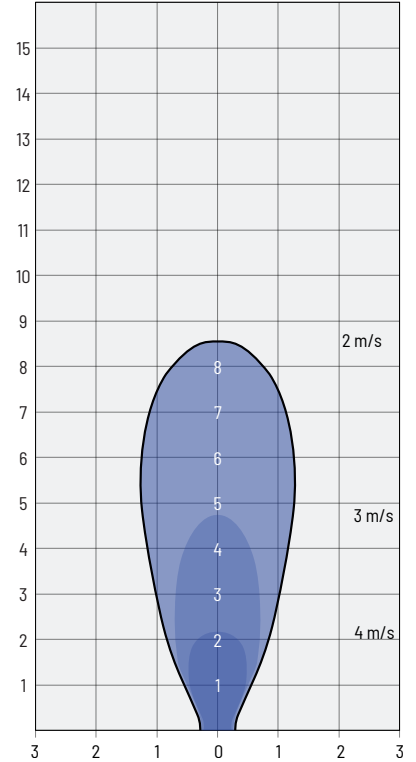
AFK-315 RU



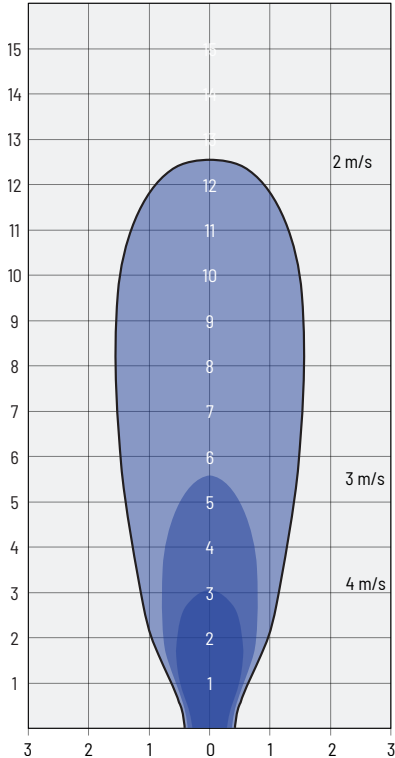
AFK-355 RU



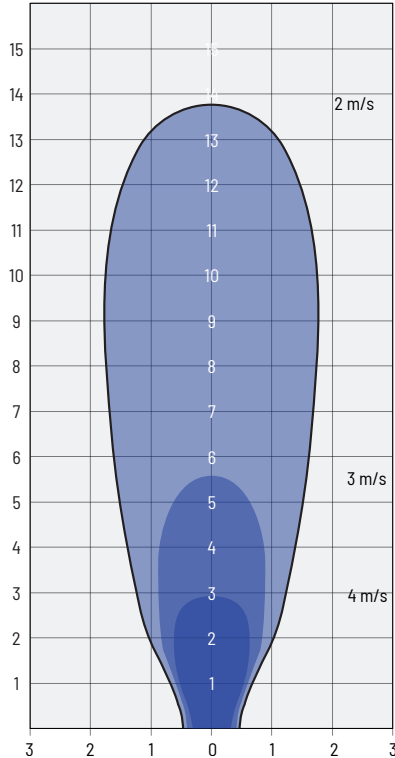
AFK-400 RU



AFK-450 RU



AFK-500 RU



AFK-560 RU

