

APPLICATION

Fan designed for polluted air exhaust systems and pneumatic transport. Typical applications:

- local exhaust systems, dehumidifiers, drying systems,
- transport of shavings, sawdust, granulates,
- combustion gas exhaust systems.

CONSTRUCTION

- medium-pressure, centrifugal fan with direct drive,
- aluminium alloy impeller with straight blades dynamically balanced in accordance with ISO1940-1,
- welded sheet steel housing,
- painted in RAL 5010 (corrosivity category C3),
- maximum medium temperature 80°C,
- ambient temperature range from -20°C to +40°C,
- standard RD90 position,
- horizontal or ventical working position.

MOTOR

- asynchronous single-phase 230V 50Hz (power to 1,1 kW),
- asynchronous, three-phase 230V/400V 50Hz (power to 3 kW),
- asynchronous, three-phase 400V/690V 50Hz (power from 4 kW),
- efficiency class IE3 (from 0,75 kW),
- degree of protection IP55,
- insulation class F,
- three-phase motors are adapted for frequency converter.

ON REQUEST

- different positions LG/RD,
- painting in a different color,
- painting in higher category of corrosivity,
- impeller welded from steel sheet for models to 800,
- impeller, housing and support made of galvanized steel sheet,
- impeller, housing and support made of stainless steel 1.4301,
- impeller, housing and support made of acid-proof steel 1.4404,
- different motor voltage and frequency,
- single-phase motor driven by voltage,
- different motor degree of protection,
- motor equipped with sensors or additional cooling,
- radial shaft sealing,
- ambient temperature range below -20°C and above +40°C.

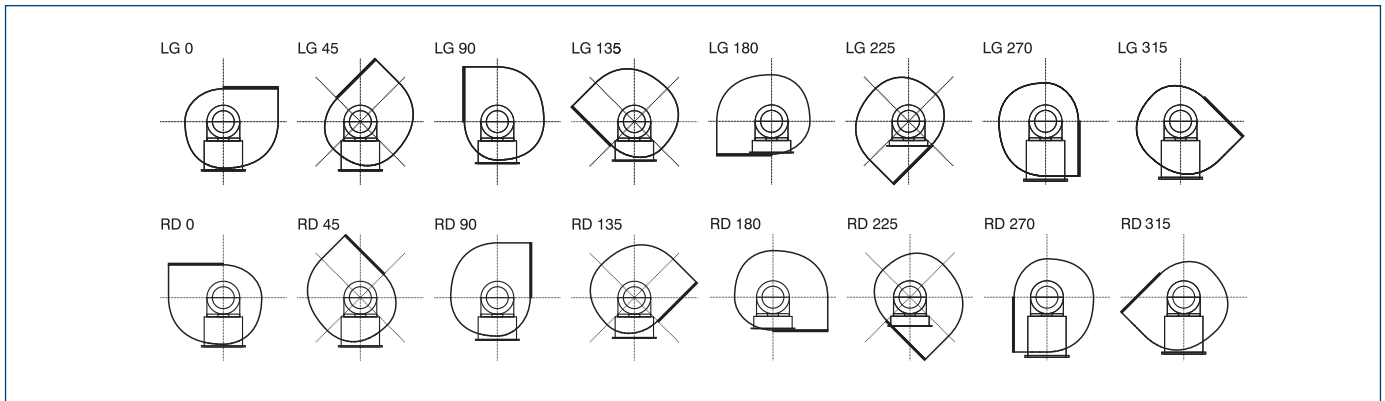


WWW



CE

POSITIONS

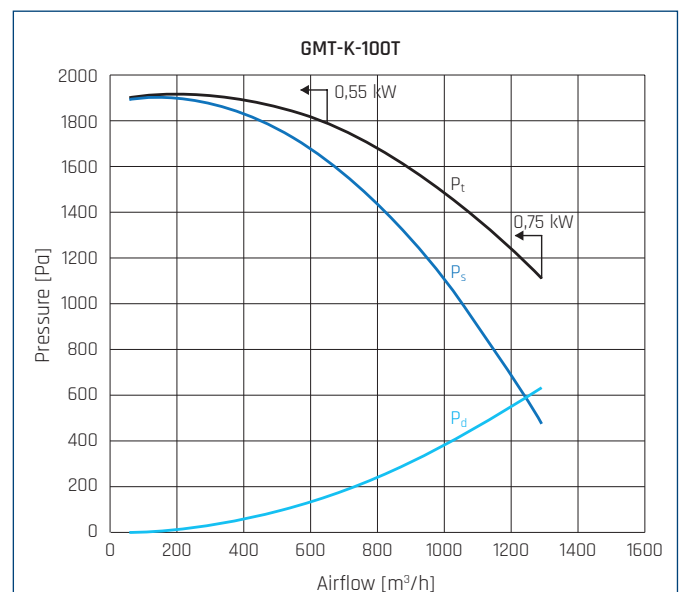
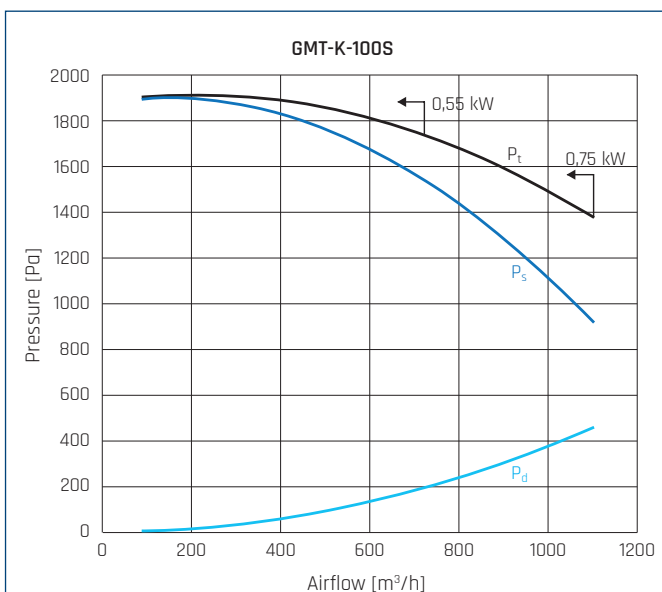


TECHNICAL CHARACTERISTICS

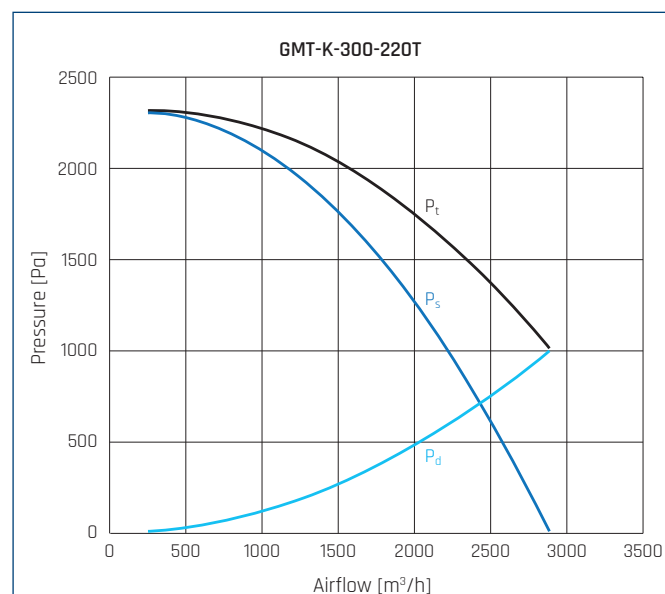
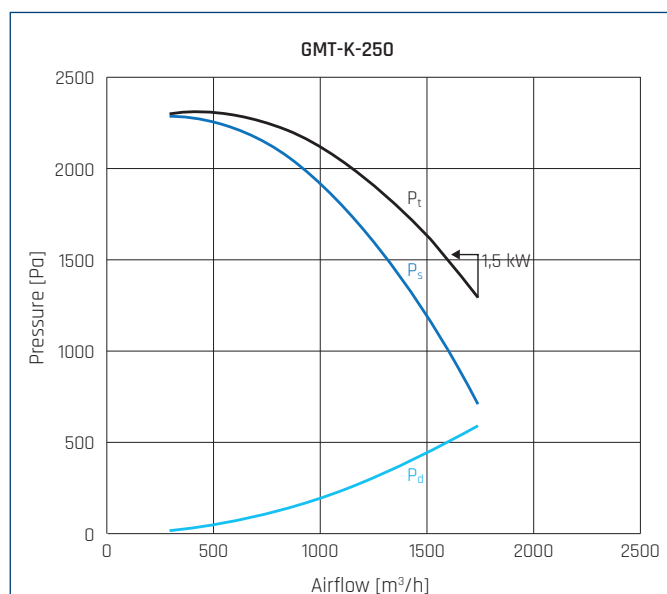
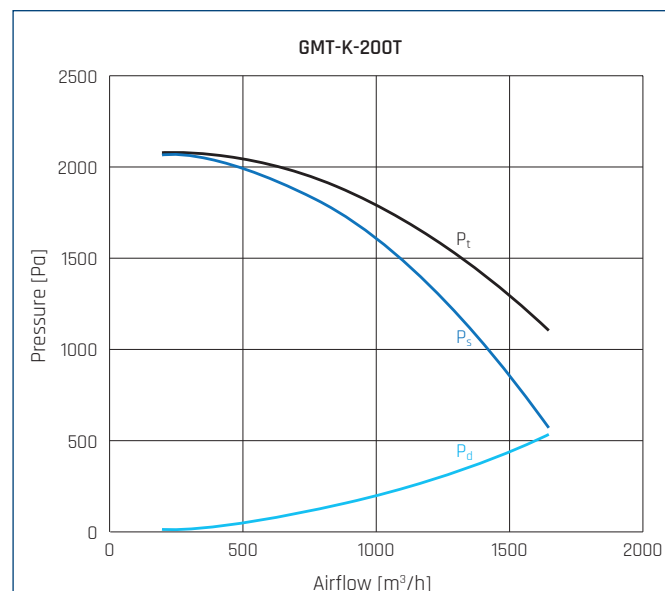
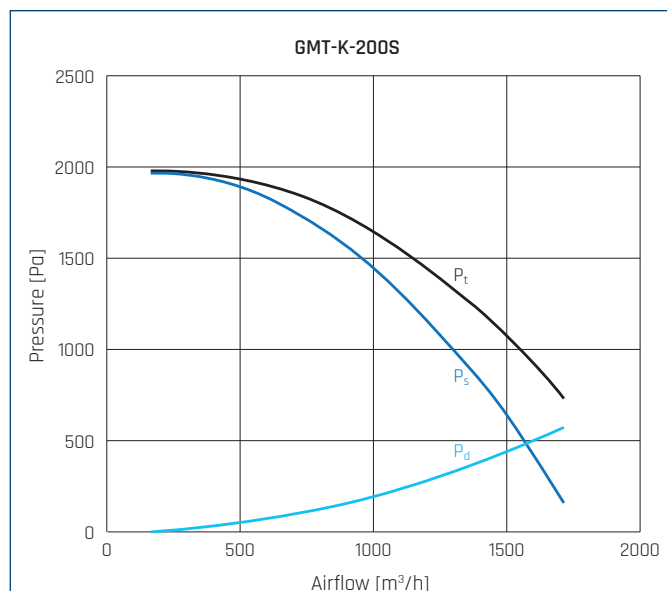
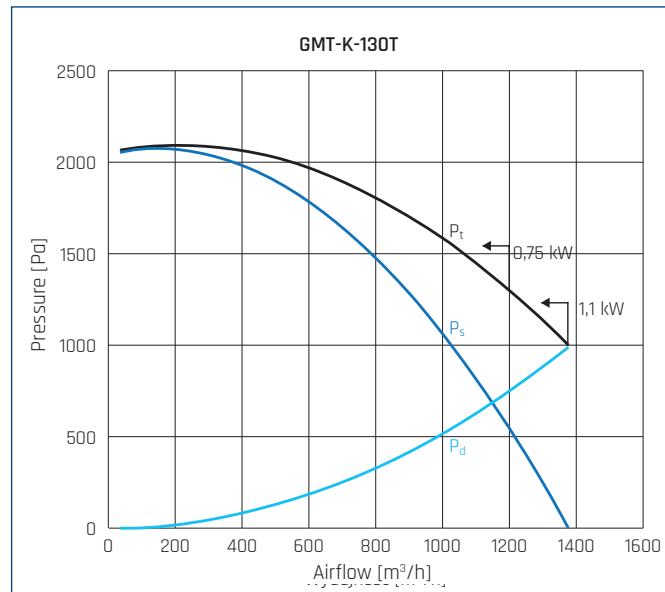
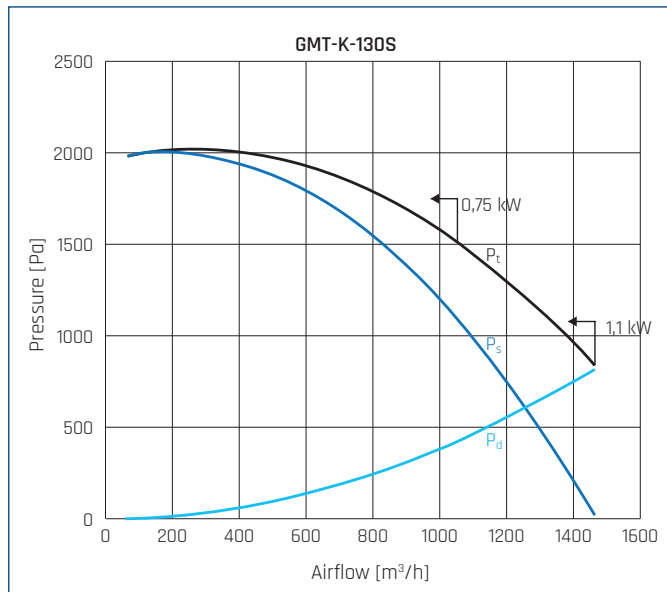
Type	airflow max	pressure max	maximum absorbed power	speed	maximum absorbed current	voltage	capacitor	sound pressure level*	weight	article number
	[m³/h]	[Pa]	[kW]	[r.p.m.]	[A]	[V]	[µF]	[dB(A)]	[kg]	
GMT-K-100-055S	750	1915	0,55	2780	3,6	230	20	76	16,7	42552300
GMT-K-100-055T	650	1915	0,55	2790	2,35/1,35	230/400	-	76	15,0	42552305
GMT-K-100-075S	1100	1915	0,75	2800	5,0	230	25	79	18,9	42552310
GMT-K-100-075T	1290	1915	0,75	2890	3,30/1,90	230/400	-	79	16,9	43552315
GMT-K-130-075S	1040	2050	0,75	2800	5,0	230	25	78	19,0	42552320
GMT-K-130-075T	1200	2110	0,75	2890	3,30/1,90	230/400	-	78	17,8	43552325
GMT-K-130-110S	1470	2050	1,1	2780	6,4	230	30	80	21,5	42552325
GMT-K-130-110T	1380	2110	1,1	2890	4,3/2,5	230/400	-	80	18,9	43552335
GMT-K-200-110S	1720	1990	1,1	2780	6,4	230	30	81	24,6	42552340
GMT-K-200-110T	1650	2100	1,1	2890	4,3/2,5	230/400	-	81	25,0	43552345
GMT-K-250-150T	1740	2400	1,5	2880	5,25/3,0	230/400	-	82	34,5	43552350
GMT-K-300-220T	2900	2315	2,2	2895	7,9/4,5	230/400	-	82	35,6	43552355
GMT-K-400-300T	3410	2380	3	2870	11,0/6,3	230/400	-	84	40,6	43552360
GMT-K-500-400T	5300	2225	4	2895	7,4/4,3	400/690	-	85	67,0	43552365
GMT-K-600-550T	6400	2350	5,5	2890	9,8/5,7	400/690	-	88	70,0	43552370
GMT-K-700-750T	7350	3530	7,5	2885	14,0/8,1	400/690	-	91	95,5	43552375

* sound pressure measured at a distance of 1,5m from the fan at $q=2/3 \cdot q_{max}$

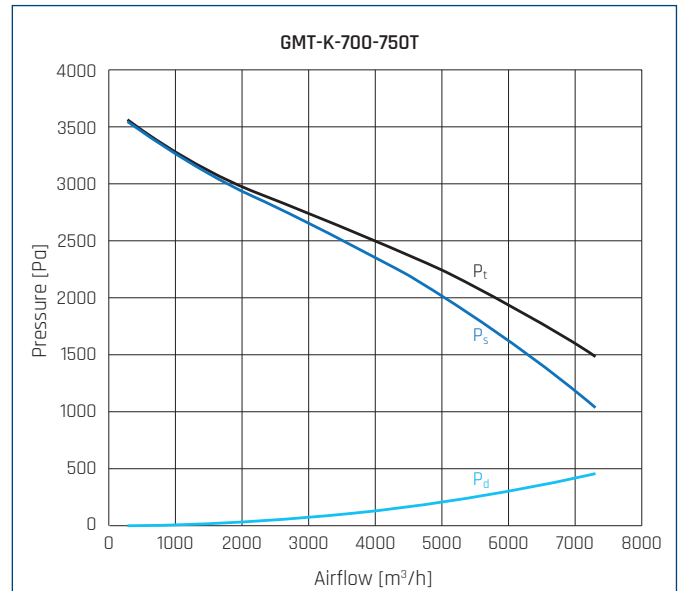
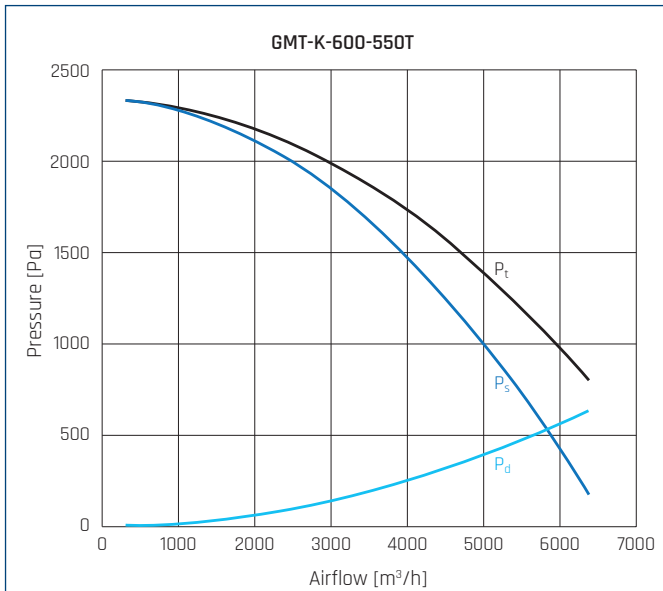
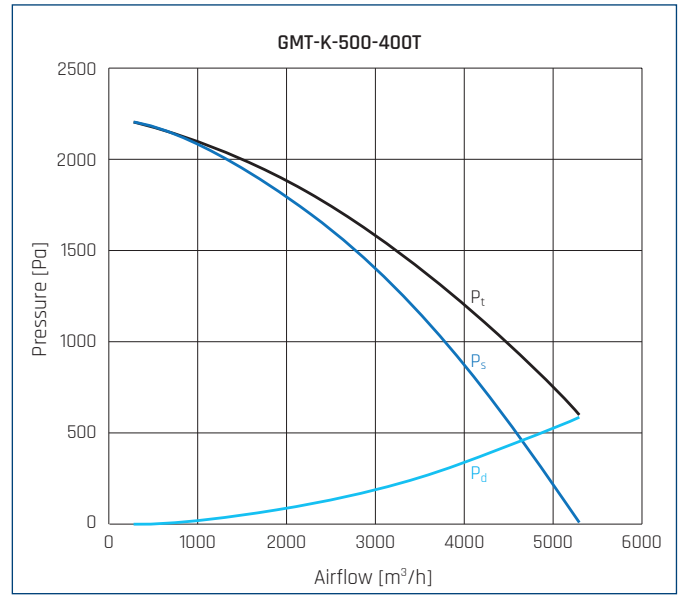
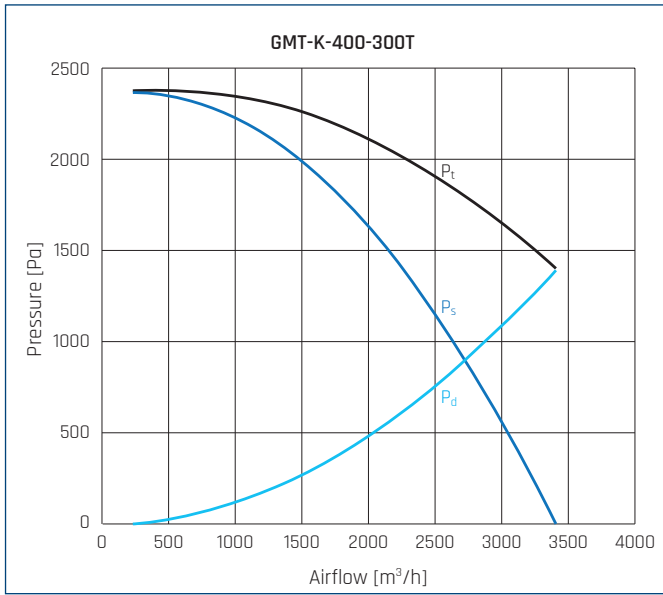
PERFORMANCE CURVES



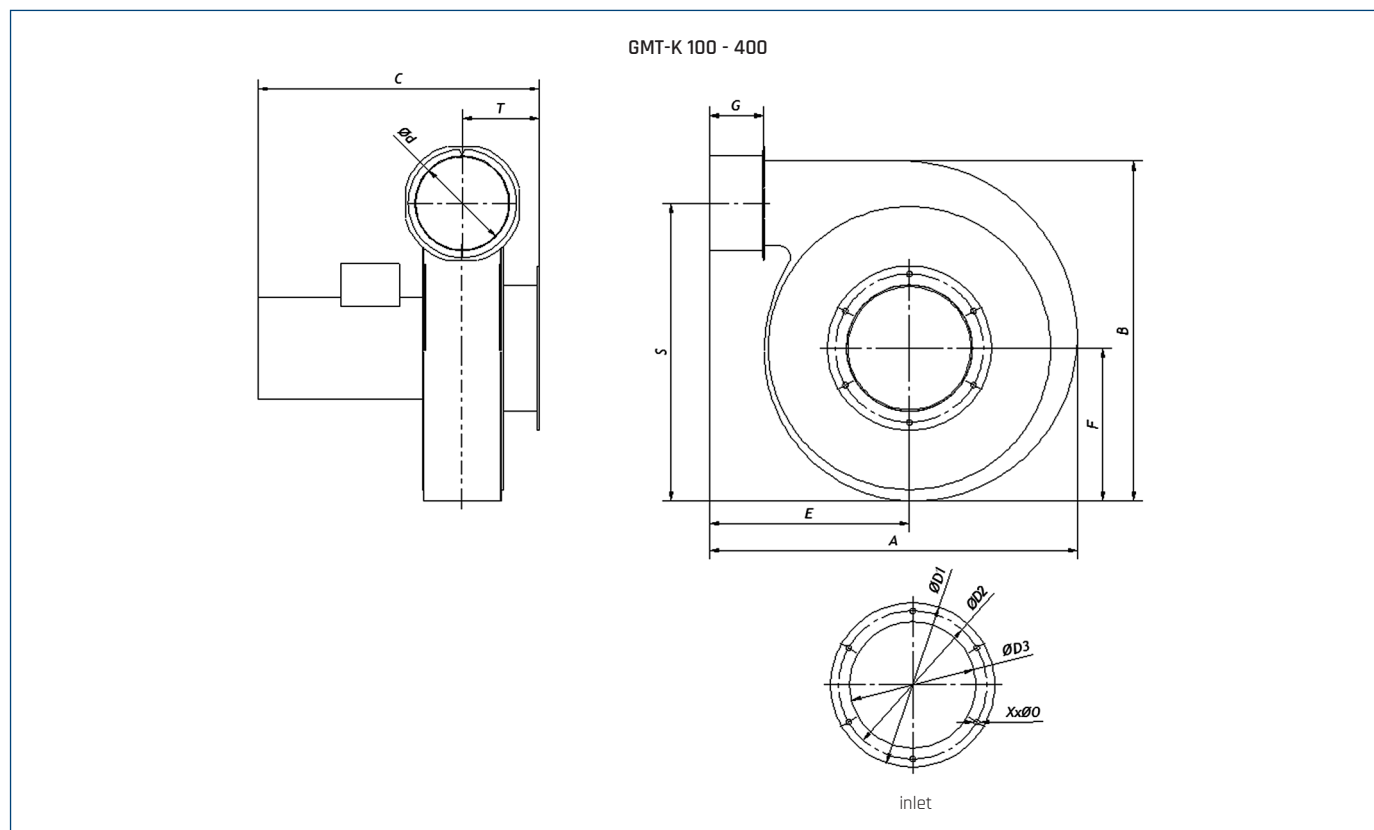
PERFORMANCE CURVES



PERFORMANCE CURVES



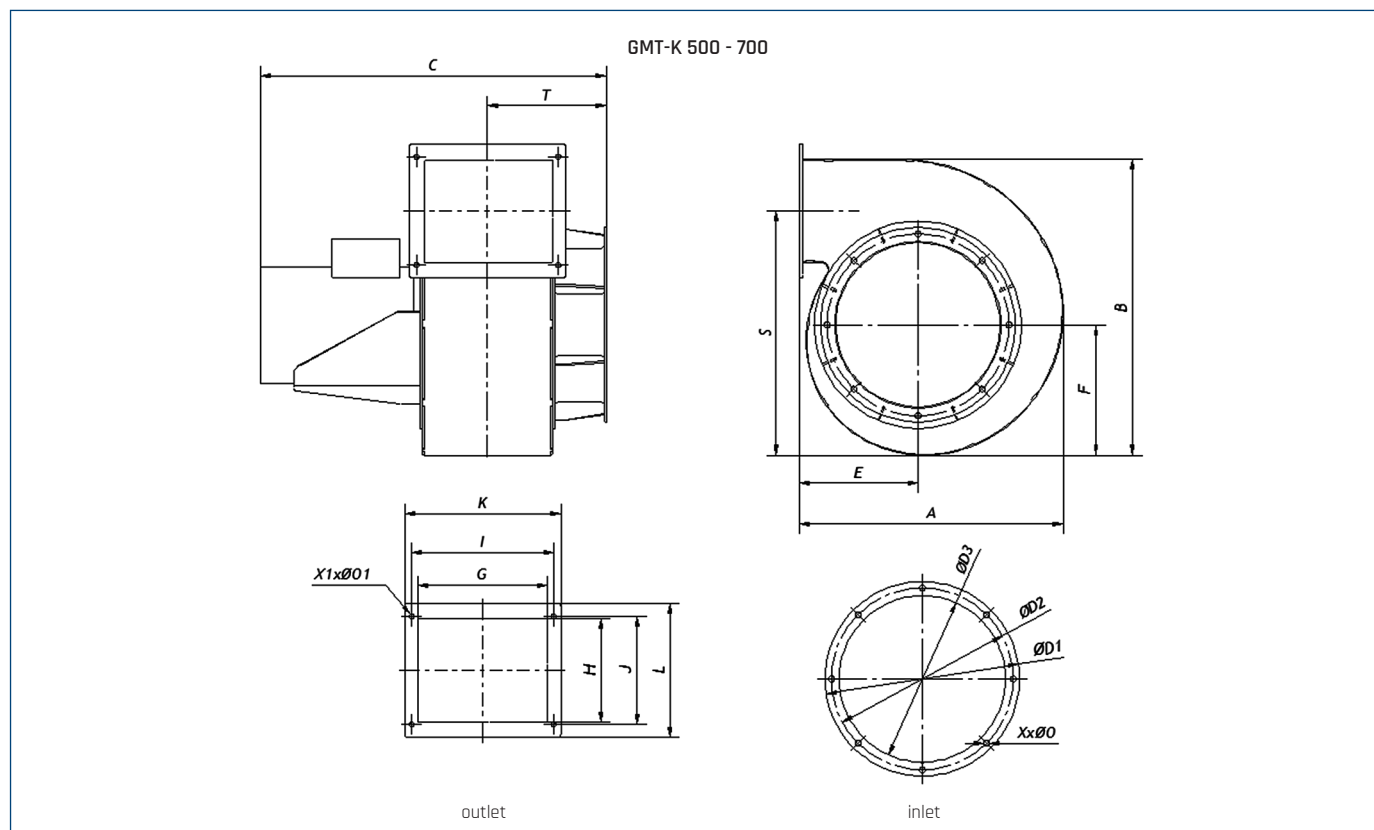
DIMENSIONS [mm]



Type	A	B	C*	Ød	ØD1	ØD2	ØD3	E	F	G	Ø0	X	S	T
GMT-K-100	483	445	369	125	215	194	160	263	200	71	7	6	389	101
GMT-K-130	483	445	369	125	215	194	160	263	200	71	7	6	389	101
GMT-K-200	489	552	432	160	215	194	160	276	243	52	7	6	476	107
GMT-K-250	489	552	465	160	215	194	160	276	243	52	7	6	476	107
GMT-K-300	489	552	503	200	280	244	200	269	243	45	8	8	476	122
GMT-K-400	489	552	503	200	280	244	200	269	243	45	8	8	476	122

* dimension C depends on the motor used

DIMENSIONS [mm]



Type	A	B	C*	ØD1	ØD2	ØD3	E	G	H	I	J	K	L	F	Ø0	X	Ø01	X1	S	T
GMT-K-500	487	560	674	368	344	315	212	240	189	269	205	296	254	247	11	8	9	4	463	225
GMT-K-600	487	560	774	368	344	315	212	280	189	309	205	336	254	247	11	8	9	4	463	245
GMT-K-700	648	793	698	380	344	315	259	240	289	274	315	304	340	317	9	8	9	4	647	188

* dimension C depends on the motor used